

TYT4系列铸铁壳三相永磁同步电动机

TYT4 SERIES CAST IRON THREE PHASE PERMANENT MAGNET SYNCHRONOUS MOTOR

IE4



产品简介

该系列电动机设计符合 IEC 国际标准，可广泛应用于工业、商业和民用各种等需要高效节能设备的领域。

产品特点

- 功率范围：5.5~250kW
- 机座号：100~280
- 额定电压：380V
- 额定频率：50~200Hz
- 能效等级：IE4（国标能效二级）以上
- 绝缘等级：F
- 防护等级：IP55
- 冷却方式：IC411
- 工作制：S1
- 安装方式：B3、B35、B5

产品优势

- 体积小、重量轻
- 低噪音
- 起动转矩大
- 高效节能
- 安装便捷，维护方便
- 可靠耐用



www.ablecn.com

PRODUCT INTRODUCTION

This series of motor design conforms to IEC standard. It could be widely used in the industry, commerce, residential fields that require high efficiency equipment.

PRODUCT FEATURES

- Output: 5.5~250kW
- Frame size: 100~280
- Rated voltage: 380V
- Rated frequency: 50~200Hz
- Efficiency: IE4 (GB-grade 2), or higher
- Insulation class: F
- Protection grade: IP55
- Cooling method: IC411
- Duty type: S1
- Installation method: B3, B35, B5

PRODUCT ADVANTAGE

- Compact size and light weight
- Low noise
- High starting torque
- High efficiency and energy saving
- Easy installation and maintenance
- Reliable and durable

技术参数 TECHNICAL DATA

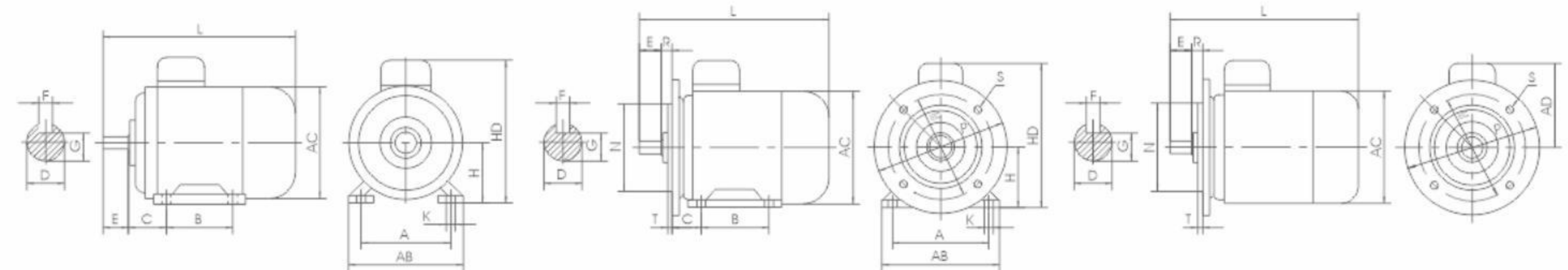
IE4

型号 Model	额定功率 Rated Power		额定电压 Rated Voltage	额定频率 Frequency	额定转速 Speed	接法 Conn.	功率因素 Power factor	效率 Efficiency	额定电流 Rated Curr.	额定转矩 Tn
	KW	HP	V	Hz	rpm		cosφ	%	A	N.m
TYT4-100L1-6	5.5	7.5	380	150	3000	Y	0.97	90.9	10.0	17.5
TYT4-100L2-6	7.5	10	380	150	3000	Y	0.97	91.7	13.5	23.9
TYT4-112M-6	11	15	380	150	3000	Y	0.97	92.6	19.6	35
TYT4-132S1-6	15	20	380	150	3000	Y	0.97	93.3	26.5	47.8
TYT4-132S2-6	18.5	25	380	150	3000	Y	0.97	93.7	32.6	58.9
TYT4-132M-6	22	30	380	150	3000	Y	0.97	94.0	38.6	70
TYT4-160M1-6	30	40	380	150	3000	Y	0.97	94.5	52.3	95.5
TYT4-160M2-6	37	50	380	150	3000	Y	0.97	94.8	64.4	118
TYT4-160L-6	45	60	380	150	3000	Y	0.97	95.0	78.1	143
TYT4-180M-6	55	75	380	150	3000	Y	0.97	95.3	95.2	175
TYT4-180L-6	75	100	380	150	3000	Y	0.97	95.6	129	239
TYT4-200L1-6	90	125	380	150	3000	Y	0.97	95.8	155	286
TYT4-200L2-6	110	150	380	150	3000	Y	0.97	96.0	189	350
TYT4-225M-6	132	180	380	150	3000	Y	0.97	96.2	226	420
TYT4-250M1-6	160	220	380	150	3000	Y	0.97	96.3	274	509
TYT4-250M2-6	200	270	380	150	3000	Y	0.97	96.5	342	637
TYT4-280M-6	250	340	380	150	3000	Y	0.97	96.5	427	796
TYT4-100L1-8	3	4	380	100	1500	Y	0.97	90.4	5.50	19.1
TYT4-100L2-8	4	5.5	380	100	1500	Y	0.97	91.1	7.20	25.5
TYT4-112M-8	5.5	7.5	380	100	1500	Y	0.97	91.9	9.90	35
TYT4-132S-8	7.5	10	380	100	1500	Y	0.97	92.6	13.4	47.8
TYT4-132M-8	11	15	380	100	1500	Y	0.97	93.3	19.4	70
TYT4-160M1-8	15	20	380	100	1500	Y	0.97	93.9	26.3	95.5
TYT4-160M2-8	18.5	25	380	100	1500	Y	0.97	94.2	32.4	118
TYT4-160L-8	22	30	380	100	1500	Y	0.97	94.5	38.4	140
TYT4-180M-8	30	40	380	100	1500	Y	0.97	94.9	52.1	191
TYT4-180L-8	37	50	380	100	1500	Y	0.97	95.2	64.1	236
TYT4-200L1-8	45	60	380	100	1500	Y	0.97	95.4	77.8	286
TYT4-200L2-8	55	75	380	100	1500	Y	0.97	95.7	94.8	350
TYT4-225M-8	75	100	380	100	1500	Y	0.97	96.0	129	477
TYT4-250M1-8	90	125	380	100	1500	Y	0.97	96.1	154	573
TYT4-250M2-8	110	150	380	100	1500	Y	0.97	96.3	188	700
TYT4-280S-8	132	180	380	100	1500	Y	0.97	96.4	226	840
TYT4-280M-8	160	220	380	100	1500	Y	0.97	96.6	273	1019
TYT4-280S-8*	90	125	380	66.7	1000	Y	0.98	95.6	154	859.5
TYT4-280M1-12*	110	150	380	100	1000	Y	0.98	96.0	187	1050
TYT4-280M2-12*	132	180	380	100	1000	Y	0.98	96.0	224	1260
TYT4-250M1-12*	60	80	380	80	800	Y	0.97	95.1	104	716
TYT4-250M2-12*	75	100	380	80	800	Y	0.98	96.0	128	895.3

IMB3

IMB35

IMB5



外形及安装尺寸 INSTALLATION AND OVERALL DIMENSIONS

机座号 Frame Size	转速 Speed rpm	安装尺寸 Mounting Dimensions(mm)													外形尺寸 Overall Dimensions(mm)						
		A	B	C	D	E	F	G	H	K	M	N	P	R	S	T	AB	AC	AD	HD	L
100L	3000	160	140	63	28	60	8	24	100	12	215	180	250	0	4-14.5	4	200	206	181	281	428
112M		190	140	70	28	60	8	24	112	12	215	180	250	0	4-14.5	4	226	220	188	300	395
132S		216	140	89	38	80	10	33	132	12	265	230	300	0	4-14.5	4	262	259	208	340	463
132M	1500	216	178	89	38	80	10	33	132	12	265	230	300	0	4-14.5	4	262	259	208	340	501
160M		254	210	108	42	110	12	37	160	14.5	300	250	350	0	4-18.5	5	314	314	264	424	610
160L		254	254	108	42	110	12	37	160	14.5	300	250	350	0	4-18.5	5	314	314	264	424	654
180M	3000	279	241	121	48	110	14	42.5	180	14.5	300	250	350	0	4-18.5	5	349	354	283	463	686
180L		279	279	121	48	110	14	42.5	180	14.5	300	250	350	0	4-18.5	5	349	354	283	463	724
200L		318	305	133	55	110	16	49	200	18.5	350	300	400	0	4-18.5	5	388	396	312	512	769
225S	1500	356	286	149	60	140	18	53	225	18.5	400	350	450	0	8-18.5	5	431	445	333	558	823
225M		356	311	149	55	110	16	49	225	18.5	400	350	450	0	8-18.5	5	431	445	333	558	818
225M		356	311	149	60	140	18	53	225	18.5	400	350	450	0	8-18.5	5	431	445	333	558	848
250M	3000	406	349	168	60	140	18	53	250	24	500	450	550	0	8-18.5	5	484	484	367	617	909
250M		406	349	168	65	140	18	58	250	24	500	450	550	0	8-18.5	5	484	484	367	617	909
280S		457	368	190	65	140	18	58	280	24	500	450	550	0	8-18.5	5	542	546	396	676	959
280S	1500	457	368	190	75	140	20	67.5	280	24	500	450	550	0	8-18.5	5	542	546	396	676	979
280M		457	419	190	65	140	18	58	280	24	500	450	550	0	8-18.5	5	542	546	396	676	1010
280M		457	419	190	75	140	20	67.5	280	24	500	450	550	0	8-18.5	5	542	546	396	676	1030